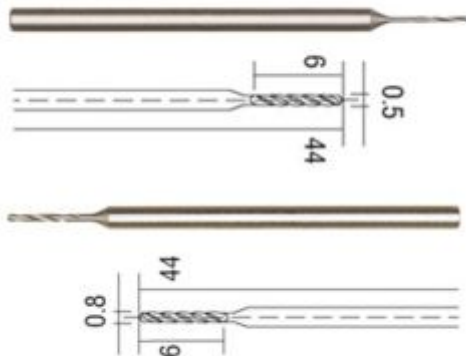


Proxxon Tungsten Vanadium Drill Bits

Product Images



Description



Production Equipment Europe
Superior Service – Single Source

- Selected tungsten vanadium steel. Purpose made of stable construction with head and shaft out of a single blank
- The precise flutes and optimal concentricity ensure best life expectancy
- All shafts 2.35 or 3.0mm
- For use on hard and soft woods, NF and precious metals, as well as plastics and plaster of paris
- Ideal for milling, routing, shaping, profiling and slotting