

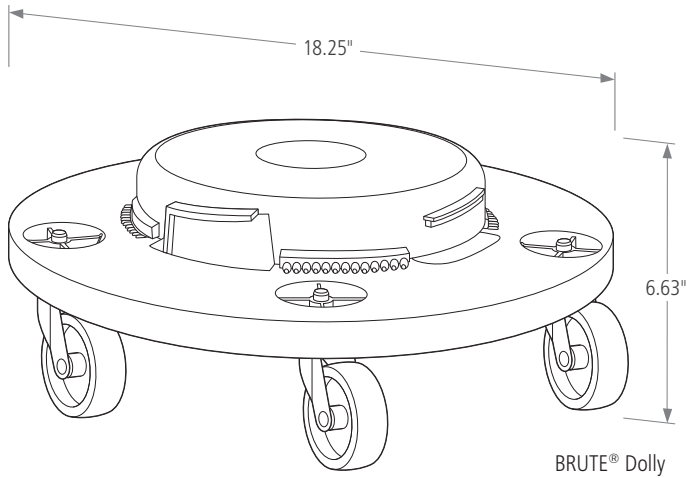
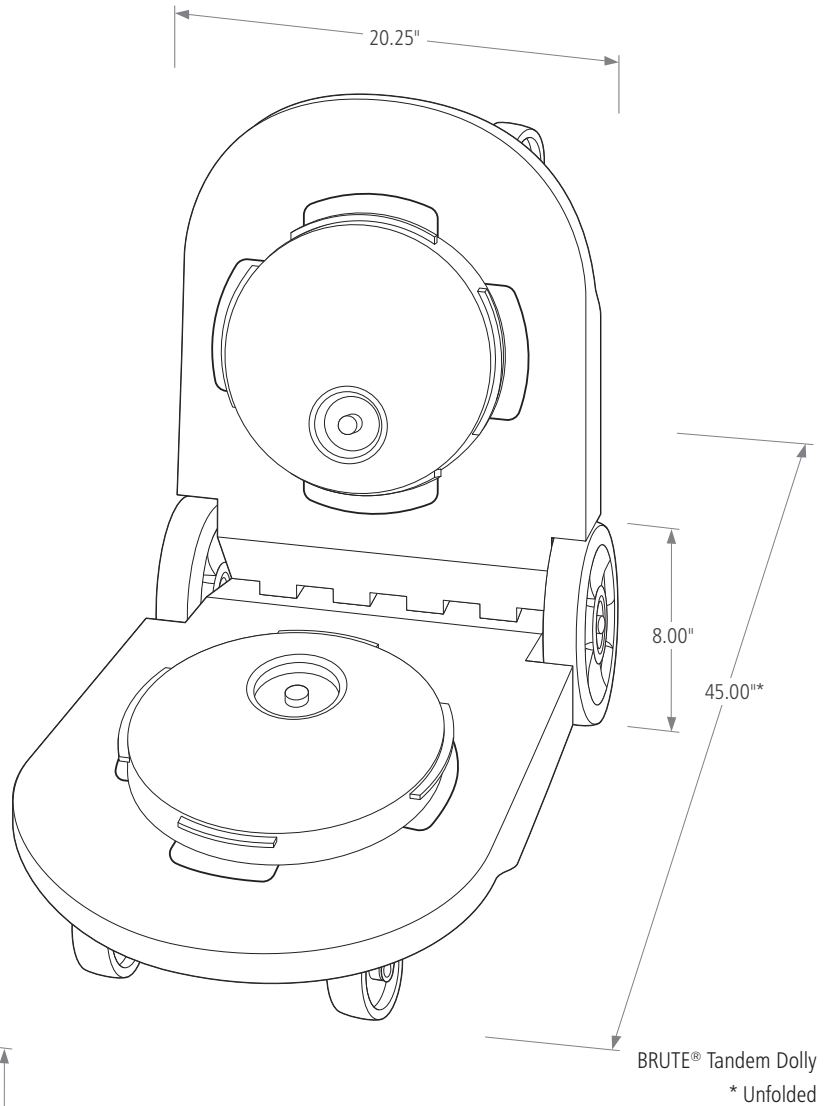


BRUTE[®] DOLLIES

BRUTE[®] dollies are designed to be durable, long-lasting, and are able to withstand the toughest commercial environments while simplifying everyday tasks.

Features and Benefits:

- Rugged casters help keep fully loaded BRUTE[®] containers stable, even on rough and uneven floors, and swivel smoothly for easy maneuvering.
- Twist locks hold containers securely in place and unlock easily for unloading, allowing for easy transport.
- Structural foam construction provides superior strength and durability.



BRUTE[®] DOLLIES

SKU #	DESCRIPTION	COLOR	FITS	LENGTH IN	WIDTH IN	HEIGHT IN	DIAMETER IN	PACK SIZE
FG264000BLA	BRUTE [®] DOLLY	BLACK	ALL	–	–	6.63	18.25	2
FG264043BLA	BRUTE [®] QUIET DOLLY	BLACK	ALL	–	–	6.63	18.25	2
FG264600BLA	BRUTE [®] TANDEM DOLLY	BLACK	ALL	45.00	20.25	8.00	–	1