



# Product Specification – Dependaplast Advanced Hydrogel Burn Plasters

## Product Information

<b>REF:</b>	410/419/4200
<b>Description:</b>	Dependaplast Advanced Hydrogel Burn Plasters- Blue
<b>Manufacturer:</b>	Reliance Medical Shanghai LTD
<b>Address:</b>	First floor, Building 66, Lane 118, Suide Road, Putuo District, Shanghai, China.
<b>Licensed Markets:</b>	UK
<b>Characteristic:</b>	Provides moist cooling that protects minor burns and scalds without adhering to the wound. The plaster covers the nerve endings and relieves the pain. The cooling gel provides a protective environment for the burn, letting the wound heal faster. Fragrance free. Latest in burn dressing technology. Reduces risk of scarring. Blue for food hygiene regulations.
<b>Indications:</b>	For minor burns and scalds.
<b>Sterilisation:</b>	Sterile EO
<b>Shelf Life:</b>	5 years from manufacture date.
<b>Storage Conditions:</b>	Store in a cool, dry place.



## Barcode Information

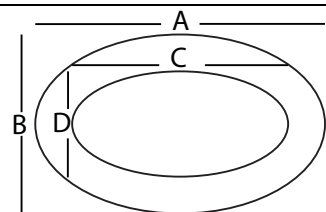
REF	UNIT	QUANTITY	BARCODE	DIMENSIONS	WEIGHT
410	Single	Box of 25	5060131884103	40mmH x 210mmW x 130mmD	206g
	Case	Case of 36	15060131884100	290mmH x 570mmW x 320mmD	8.6kg
419	Single	Single	5060131884196	65mmH x 95mmW x 0.2mmD	3g
	Case	Case of 2000	15060131884193	440mmH x 310mmW x 165mmD	6.45kg
4200	Single	Single	5060186994253	170mmH x 105mmW x 0.5mmD	7g
	Case	Case of 2000	15060186994250	-	-

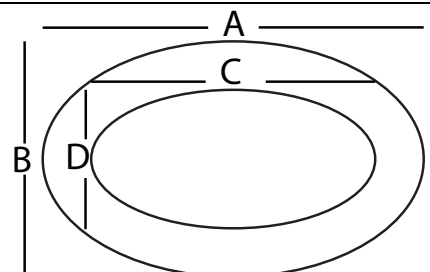
The information contained in this product specification is accurate for the above revision date. However, components are subject to change without notice, when another specification will be issued.



## Additional Information

CONTENTS: 410 – BOX OF 25	
REF	QTY
419	15pcs
4200	10pcs

419 - 6.8CM X 4.3CM	
	<b>DIMENSIONS</b>
	<b>A</b> 6.8cm
	<b>B</b> 4.3cm
	<b>C</b> 5.2cm
	<b>D</b> 2.8cm

4200 - 11CM X 6.7CM	
	<b>DIMENSIONS</b>
	<b>A</b> 11cm
	<b>B</b> 6.7cm
	<b>C</b> 8cm
	<b>D</b> 4cm

CHARACTERISTIC	TEST STANDARD	SPECIFICATION	
		419	4200
Thickness	Internal	0.9-1.2 mm	0.9-1.2 mm
Weight of gel (gm/m <sup>2</sup> )	FINAT 12	800-1400	800-1400
Loop tack test (N/25mm)	FINAT 9	≥ 0.01	≥ 0.01
Peel Adhesion of border (N/25mm)	AFERA 5001	6±2	6±2
MVTR for gel (gm/sqm/24 hrs)	BS EN 13726-2:2002	1300±500	1300±500
MVTR inverted (gm/sqm/24 hrs)	BS EN 13726-2:2002	1500±500	1500±500
Static absorption (gm/sqm/24 hrs)	BS EN 13726-1:2002	1500±500	1500±500
Fluid handling capacity (gm/sqm/24 hrs)	BS EN 13726-1:2002	3000±1000	3000±1000
Plaster width (cm)	Internal	6.8 cm±1 mm	6.7 cm±1 mm
Plaster length (cm)	Internal	4.3 cm ±1 mm	11 cm ±2 mm
Pad width (cm)	Internal	5 cm±2 mm	3.7 cm±2 mm
Pad length (cm)	Internal	2.6 cm ±2 mm	8.1 cm ±2 mm
Seal strength of pouch (N/15mm)	BS EN 868-5	≥1.2	≥1.2

The information contained in this product specification is accurate for the above revision date.

However, components are subject to change without notice, when another specification will be issued.